

4

3

2

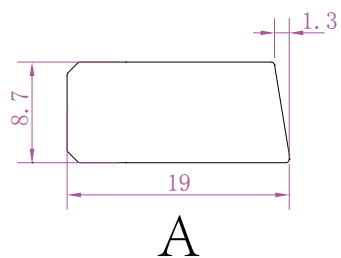
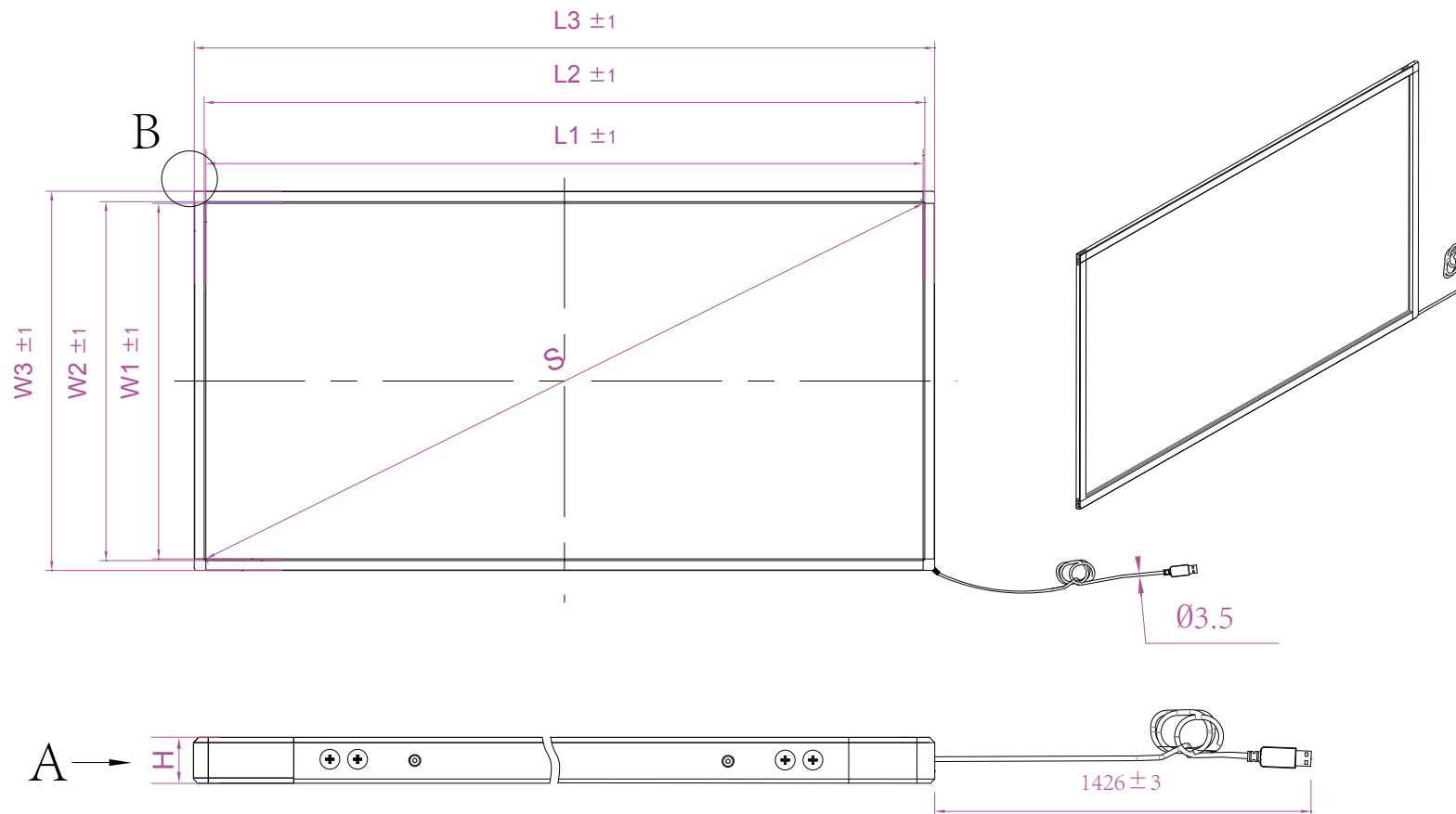
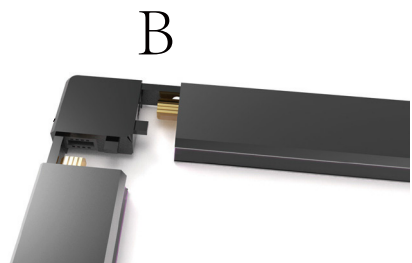
1

A

B

C

D



A

H

1426 ± 3

Ø3.5

S(Inch/mm)	49.64"/1260.86
W1	620.0 ± 1
W2	622.6 ± 1
W3	658.0 ± 1
L1	1097.9 ± 1
L2	1100.5 ± 1
L3	1135.9 ± 1
H	8.7 ± 0.2



Anti-Sunlight, No Blind Zone For Any Size



X Slim Series

Material:	aluminum	Unit:	mm	Date:		Rev:	1.0
Draft by:		Approved by:					

4

3

2

1